

SLIM LIGHT SERIES

VAPOR / DUST PROOF LIGHTING

DATE: _____	PROJECT MGR: _____
JOB: _____	
CAT#: _____	
TYPE: _____	



- TASK ①
- PAINTBOOTH ②**
- VAPOR DUST ③
- VAPOR ④
- WET DAMP ⑤
- MARINE ⑥
- EXPLOSION PROOF ⑦
- HID ⑧
- INSPECTION ⑨
- PORTABLE LIGHTING ⑩
- MOUNTING ⑪
- PHOTOMETRY ⑫
- LAMPS BALLASTS ⑬
- INFO ⑭
- CUSTOM ⑮
- ASK THE EXPERT ⑯

DESCRIPTION

The Slim Light Series features a 20 Ga. baked white enamel steel housing that is only 2 1/4" thick maximizing the available space allowed for your paint spray booth. The Slim Light Series is available in lengths of 3 & 4' with 2, 4 or 6 lamp options. The 3' fixtures are available with T8 lamps. The 4' fixtures are available with T5HO or T8 lamps. This series provides front door frame access with a paint spray cutoff switch when opened. ETL listed in the U.S. and Canada, the Slim Light Series has multiple listings for inside access and wet locations. **Must be mounted hinge side up.**

SPECIFICATIONS

- LISTINGS:** ETL listed for U.S. and Canada
Class I Division 2 Groups A,B,C,D
T3C (160 degree C) Operating Code
Class II Division 2 Groups F,G
T3C (160 degree C) Operating Code
(The Slim Light 420 & 440 in T8 are also UL listed for Class I Division 2 Groups A, B, C, & D.)
Listed for locations having deposits of readily combustible paint residues.
- HOUSING:** 20 Gauge steel construction with white baked enamel finish which creates a durable, highly reflective finish.
The housing is a front access for convenient access, and the 2 1/4" depth maximizes the space needed for the paint spray booth.
- LENS:** 3/16" Clear tempered glass.
- ELECTRICAL:** Paint spray cutoff switch in the front door frame.
Available in 3' / 25W T8 lamps, 4' / 32W T8, 54W T5HO lamps.
Voltages of 120, 277 & 347 Volts. (347 Volt in 25 & 32 Watt products only)
- APPLICATIONS:** Paint Spray Booths
- OPTIONS:** **All Options Ordered Separately**
EM: Emergency Battery Backup Ballast
120 or 277V **MUST SPECIFY**
5902: 8 Ft. 5-wire whip
Corner/Hip Mount #4714 See Page 11.6 (Available for the 390440J-3546 fixture ONLY)
- NOTE:** Normally open magnetic switches are intended to be used to trigger a relay (furnished by others) which disables the paint system. Because of the small capacity of the switch a solid state relay is recommended. It may be desired by others to utilize a separate power supply to segregate the relay (furnished by others) from the lighting power supply. The Magnetic Switch **IS NOT** designed to directly control light operation!
The Magnetic Switch is rated for 10 watts resistive at a maximum of 300 VAC.
- CAUTION:** Overloading the switch circuits **WILL** cause failure. LDPI, Inc. recommends having a certified electrician/engineer review loads to ensure that overloading of switch does not occur.



SLIM LIGHT SERIES

1-800-637-4027

VAPOR / DUST PROOF LIGHTING

- ① TASK
- ② PAINTBOOTH
- ③ VAPOR DUST
- ④ VAPOR
- ⑤ WET DAMP
- ⑥ MARINE
- ⑦ EXPLOSION PROOF
- ⑧ HID
- ⑨ INSPECTION
- ⑩ PORTABLE LIGHTING
- ⑪ MOUNTING
- ⑫ PHOTOMETRY
- ⑬ LAMPS BALLASTS
- ⑭ INFO
- ⑮ CUSTOM
- ⑯ ASK THE EXPERT

PART NUMBERS

Series	Watt	Lamp Qty	Hub	Order #	Price	Voltage
300 SERIES - 3 Foot	390320 (2 lamp)	25W T8	2	1/2" NPT	390320	3613*
				1/2" NPT	390320347	3276
	390340 (4 lamp)	25W T8	4	1/2" NPT	390340	3546
				1/2" NPT	390340347	3125
	390360 (6 lamp)	25W T8	6	1/2" NPT	390360	3546
				1/2" NPT	390360347	3125
400 SERIES - 4 Foot	390420 (2 lamp)	32W T8	1/2" NPT	390420	3613*	
			1/2" NPT	390420347	3276	
	390440 (4 lamp)	32W T8	1/2" NPT	390440	3546*	
			1/2" NPT	390440347	3125	
	390460 (6 lamp)	32W T8	1/2" NPT	390460	3546*	
			1/2" NPT	390460347	3125	
300 SERIES - 3 Foot	390420 (2 lamp)	32W T8HLO	1/2" NPT	390420120	1744	
			1/2" NPT	390420277	1766	
	390440 (4 lamp)	32W T8HLO	1/2" NPT	390440120	1744	
			1/2" NPT	390440277	1766	
	390460 (6 lamp)	32W T8HLO	1/2" NPT	390460120	3124	
			1/2" NPT	390460277	3277	
390420 (2 lamp)	54W T5HO	1/2" NPT	390420	3265		
		1/2" NPT	390420	5420		
400 SERIES - 4 Foot	390440 (4 lamp)	54W T5HO	1/2" NPT	390440	4843	
			1/2" NPT	390440347	5421	
	390460 (6 lamp)	54W T5HO	1/2" NPT	390460	3265	
			1/2" NPT	390460	5420	



LAMPS SOLD SEPARATELY

All Options Ordered Separately

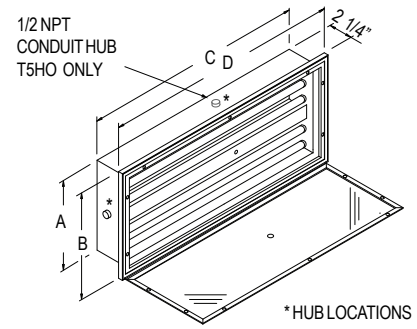
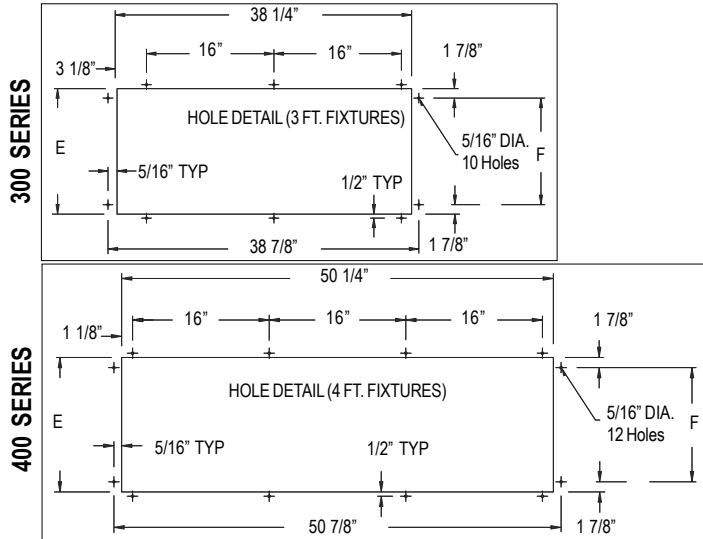
**Normally stocked fixture consult factory for lead times on non-stock products.*

DIMENSIONS

TYPE	E	F
2 LAMP	10 3/4"	7"
4 LAMP	15 3/4"	12"
6 LAMP	20 3/4"	17"

TYPE	MODEL	A	B	C	D
3 FT. 2 LAMP	390320	9 1/2"	13"	38"	39-7/8"
3 FT. 4 LAMP	390340	14 1/2"	18"	38"	39-7/8"
3 FT. 6 LAMP	390360	19 1/2"	23"	38"	39-7/8"
4 FT. 2 LAMP	390420	9 1/2"	13"	50"	51-7/8"
4 FT. 4 LAMP	390440	14 1/2"	18"	50"	51-7/8"
4 FT. 6 LAMP	390460	19 1/2"	23"	50"	51-7/8"

NOTE: LIGHT FIXTURE'S GLASS FRAME EXTENDS 3/8" INTO BOOTH WHEN MOUNTED IN BOOTH PANEL.

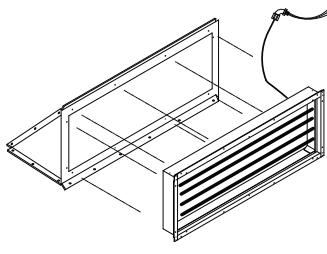


CORNER/HIP MOUNT

1-800-637-4027

FOR 440 SLIM LIGHT FIXTURE

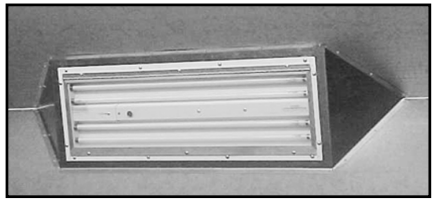
- ① TASK
- ② PAINTBOOTH
- ③ VAPOR DUST
- ④ VAPOR
- ⑤ WET DAMP
- ⑥ MARINE
- ⑦ EXPLOSION PROOF
- ⑧ HID
- ⑨ INSPECTION
- ⑩ PORTABLE LIGHTING
- ⑪ MOUNTING
- ⑫ PHOTOMETRY
- ⑬ LAMPS BALLASTS
- ⑭ INFO
- ⑮ CUSTOM
- ⑯ ASK THE EXPERT



Horizontal or Vertical Mounting Corner/Hip Light Kit
The following is an acceptable method of installing panel mounted fixtures into the corner of a paint spray booth.

FEATURES
P/N: 4714
To reduce shadowing, corner or hip lighting is ideal. Corner light mounting option is available for the 390440J-3546 Slim Light. (Page 2.7).
Shipping weight: 14#.
(Fixture sold separately)

NOTE: All wiring must be performed by a certified electrician and in accordance with all national and local electrical codes and regulations.



Paint Booth Corner or Hip mount for fluorescent lighting

DESCRIPTION

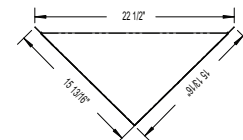
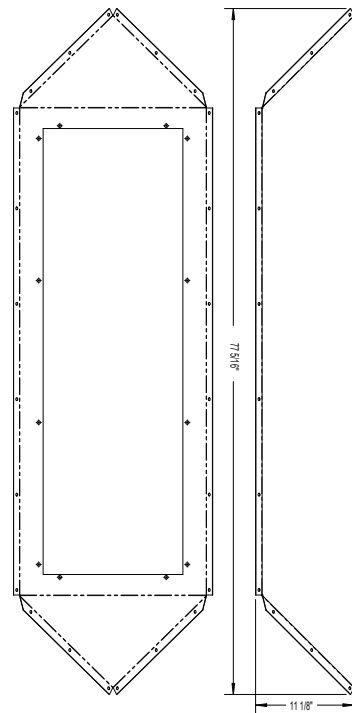
Corner or Hip mount for 390440J-3546 Slim Light fixture.
Can be installed vertically in a corner, or horizontally in the hip of the booth.
Includes all components required to install kit and route wiring conductors out of booth.

SPECIFICATIONS

- HOUSING:** Rigid one piece formed housing constructed of 20 gauge Prepaint steel.
- REQUIREMENTS:** Fixture must be rated Class I, Div. 2 and with inside access listing for use in a paint spray booth.
- Panel construction must meet the requirements of NFPA 33 Chapter 3, "Construction and Design of Spray Areas, Spray Rooms, and Spray Booths."
- Fixture installation wiring to meet the requirements of NFPA 33 Chapter 4, "Electrical and Other Sources of Ignition."

- Kit (Delivered unassembled) Includes:**
- Self tapping screws to mount panel to booth
 - Bolts/Nuts to mount fixture to panel.
 - Wire whip pre-wired to fixture.
 - (4) feet of 1/2" Liquid-Tite Flexible conduit
 - 90° Flex connector to exit booth
 - Straight flex connector to secure flex to fixture
 - (1) Tube of caulk to seal around panel and fixture perimeter

NOTE:
Mounting requires drilling 7/8" hole in booth wall or ceiling to route flex conduit out of booth.

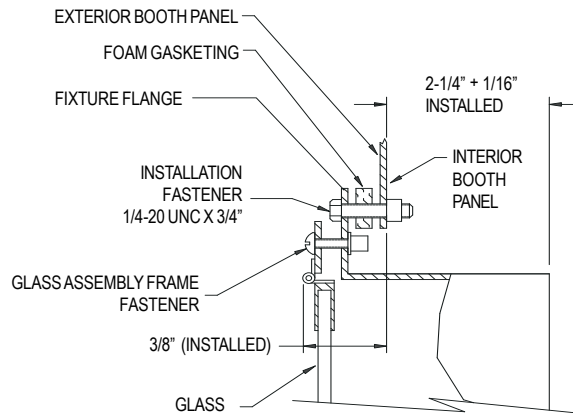
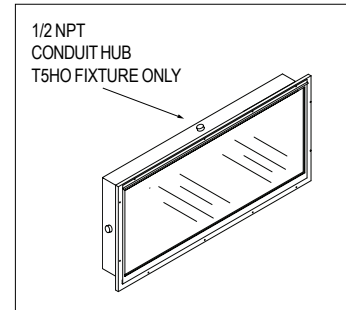
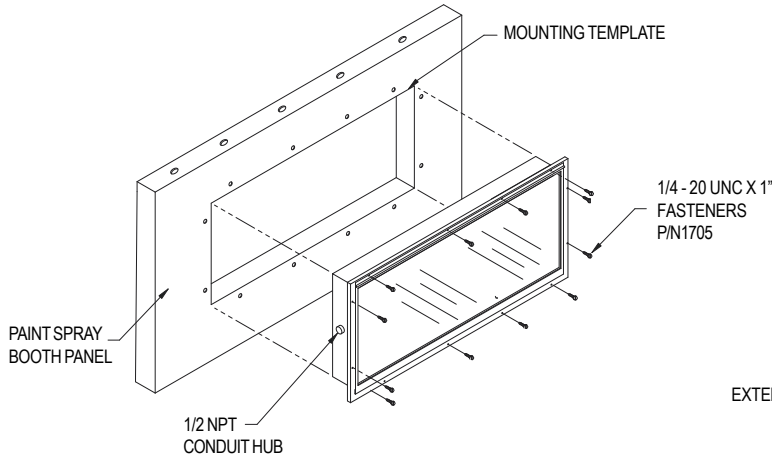


MOUNTING

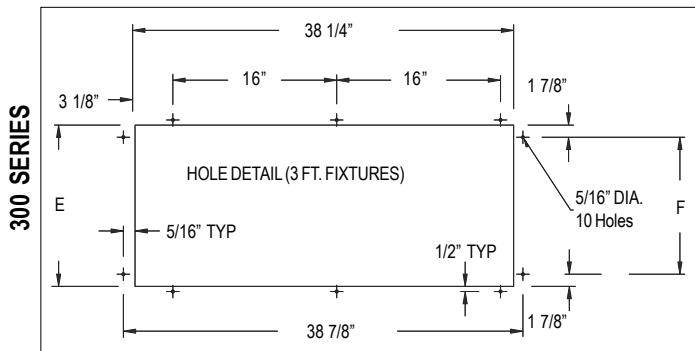
FOR LDPI, INC. FIXTURES

1-800-637-4027

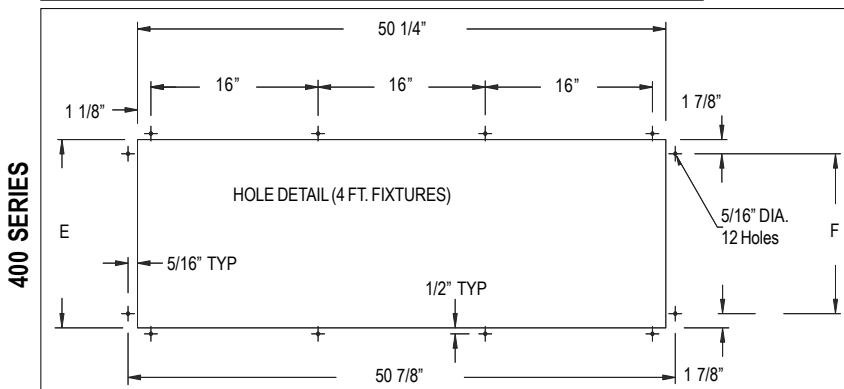
Slim Light Series



Slim Light Series Mounting Hole Detail



HOLE DETAIL DIMENSIONS		
TYPE	E	F
2 LAMP FIXTURE	10 3/4"	7"
4 LAMP FIXTURE	15 3/4"	12"
6 LAMP FIXTURE	20 3/4"	17"



- TASK ①
- PAINTBOOTH ②
- VAPOR DUST ③
- VAPOR ④
- WET DAMP ⑤
- MARINE ⑥
- EXPLOSION PROOF ⑦
- HID ⑧
- INSPECTION ⑨
- PORTABLE LIGHTING ⑩
- MOUNTING ⑪**
- PHOTOMETRY ⑫
- LAMPS BALLASTS ⑬
- INFO ⑭
- CUSTOM ⑮
- ASK THE EXPERT ⑯