

VAPOR/DUST PROOF LIGHTING



APPLICATIONS

Chemical Plants
Paper Mills
Tunnels
Water Treatment
Seacoast Areas
Prep, Inspection, Sanding
Machining Areas
Coal & Dust Storage

The 240 Series is a very versatile fixture that is UL listed for hazardous environments (Class I Division 2 Groups A, B, C and D, Class II Division 2 Groups F and G and Class III). It is an ideal fixture for industrial applications, wet locations and task lighting. Optional adjustable mounting brackets allow for precise aiming in multiple angles suitable for most applications. The 240 Series is a standard 4 lamp fixture that is also available in 2, 3, 5 and 6 lamp options, all using a 3/16" tempered glass lens with acrylic and polycarbonate optional lenses. With multiple hub locations, the 240 Series can meet most of your wiring needs.

SPECIFICATIONS

LISTINGS: UL listed for U.S. and Canada
Class I Division 2 Groups A,B,C,D
Class II Division 2 Groups F,G
Class III
Listed for wet locations
IP65
40°C ambient rating except for T12
25°C ambient rating for T12
55°C ambient rating for T8 (32 watt fixtures only)



FEATURES: Front access fixture for hazardous locations
Hinged front door frame
Hinged ballast tray
Sturdy 18 Ga. steel white powder coated housing
Spring loaded lamp holders - standard
3/16" tempered glass lens
Zinc latches

ELECTRICAL: Available in wattages up to 54 watts max.
Voltages of 120, 277, 347 & 480
Through feed wiring

OPTIONS: Adjustable surface mount brackets
Cable mount
Chain mount kit
8' wire whip
Specular high bay reflector
Wire guard
Fusing (not listed for Canada)
Acrylic lens
Polycarbonate lens

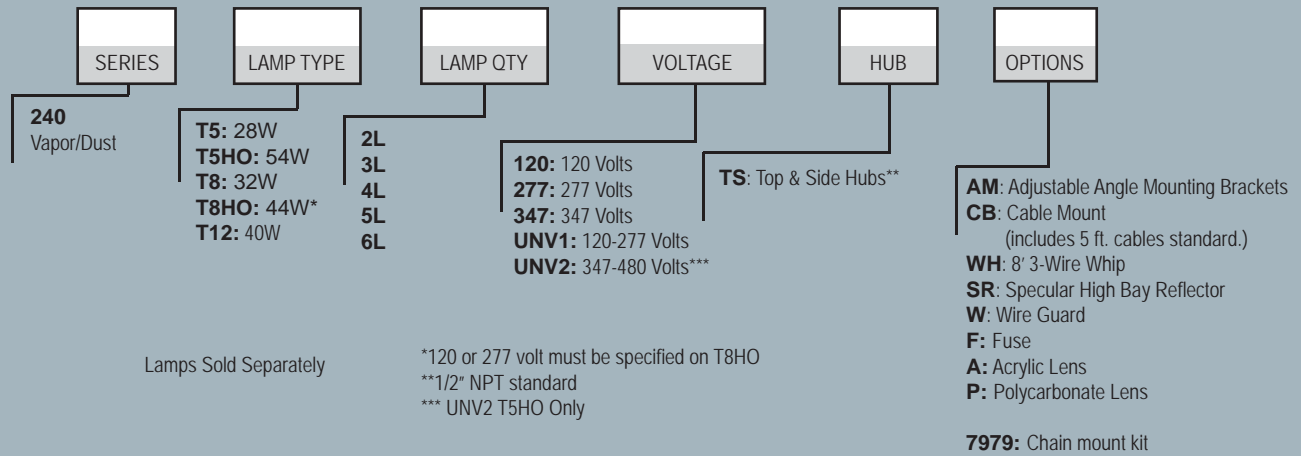
• MOUNTING KITS - Ordered Separately - See Page 90

VAPOR/DUST PROOF LIGHTING

240 SERIES

www.paintboothlights.com
1-800-637-4027

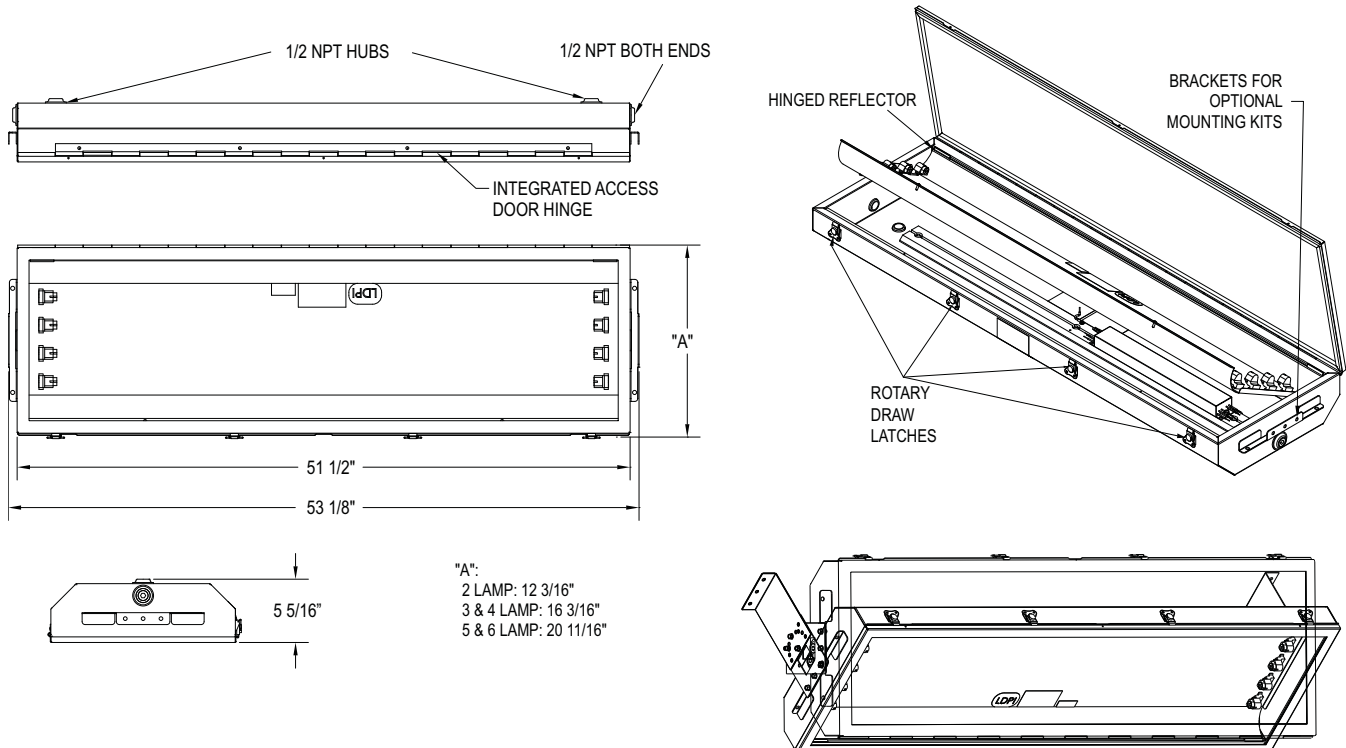
VAPOR/DUST PROOF LIGHTING



T-Ratings

Model	Rated Ambient Deg. C	Supply Wiring Temp	Class I, Div. 2 Operating Temperature Code	Class II, Div. 2 Operating Temperature Code	Class III Operating Temperature Code
240-T5	40	75	T3C (160°C)	T4A (120°C)	T4A (120°C)
240-T5HO	40	75	T3C (160°C)	T4A (120°C)	T4A (120°C)
240-T8HO	40	75	T4A (120°C)	T4A (120°C)	T4A (120°C)
240-T8	55	75	T5 (100°C)	T4A (120°C)	T4A (120°C)
240-T12	25	75	T5 (100°C)	T4A (120°C)	T4A (120°C)

DIMENSIONS (Nominal)

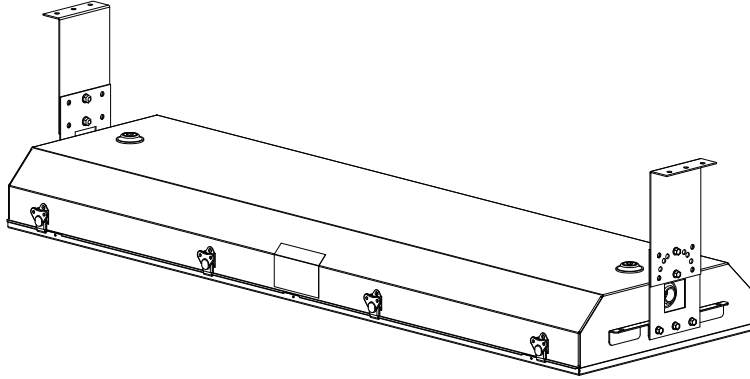


MOUNTING

www.paintboothlights.com
1-800-637-4027

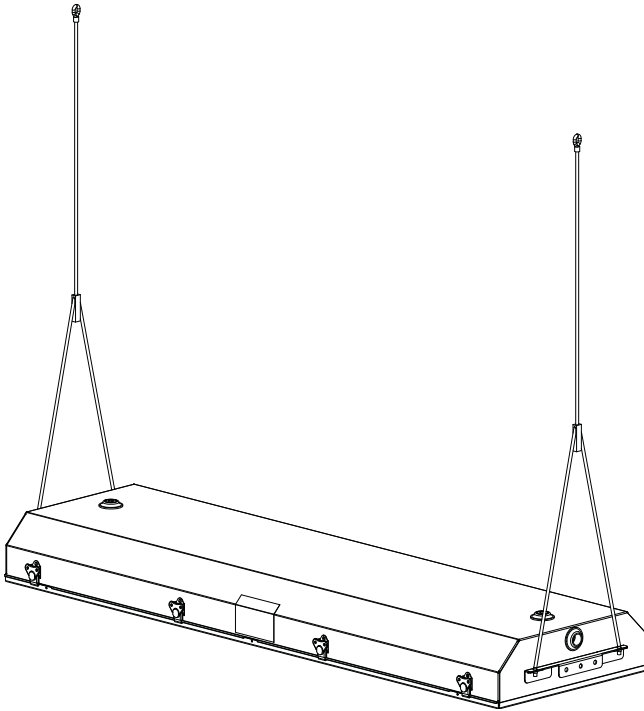
240 Series

ADJUSTABLE SURFACE
MOUNTING BRACKET KIT
PART NUMBER: (6856 GALVANIZED)
AND (6856SS STAINLESS STEEL)
BRACKET ATTACHMENT POINT FOR
OPTIONAL MOUNTING METHODS.



CABLE HANG KIT
PART NUMBER: (6875 ZINC COATED)
AND (6875SS STAINLESS STEEL)
QTY 2 CABLES WITH TOGGLE ENDS
AND QTY 2 SELF LOCKING GRIPPLES

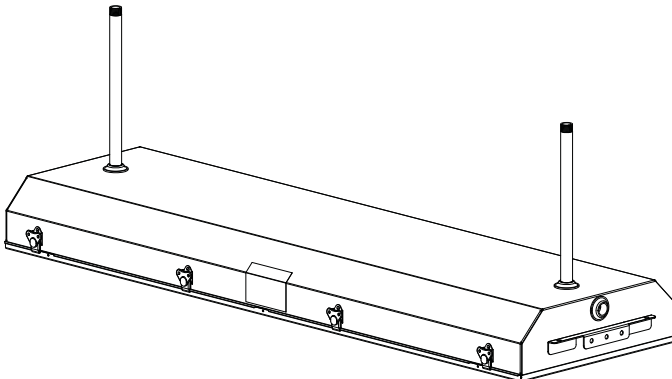
52 1/4" BETWEEN CHAINS



PENDANT STYLE MOUNTING
CONDUIT PROVIDED BY OTHERS

FIXTURE SUSPENDED WITH 1/2"
ELECTRICAL CONDUIT USING TOP
HUBS ON FIXTURE AT BOTH ENDS.

45" BETWEEN CONDUIT



THERE IS A NUMBER OF MOUNTING METHODS THAT ARE NOT SHOWN.